

“Project Management Using Earned Value”  
Case Study Solution 8.1

8.1

CASE

S

T

U

D

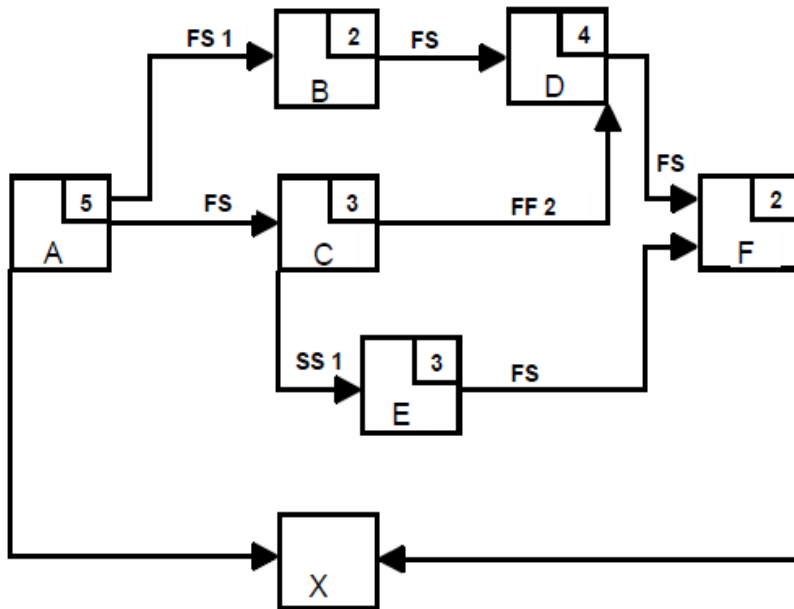
Y

A More

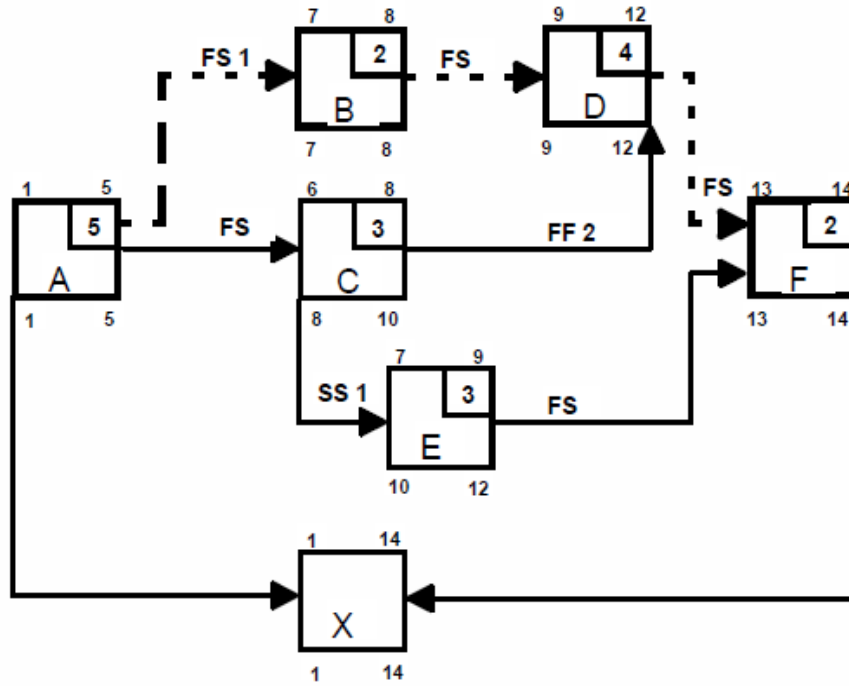
Complex Network

## A More Complex Network

Section A: PDM Network Logic Diagram



Section B: Critical Path Calculation and Display



Critical Path is A. B. D. & F